

BIOSAFE[®] DRYLOG Lines

For the safest handling of vaccines



Your logistic and time challenges are our main concern!



© Illustration by BioMedHeliX

BIOSAFE® DRYLOG Lines

Your safe for valuable vaccines

More than
55 YEARS
Excellence
in Engineering
1964 - 2019

Why CRYOTHERM?



Longtime experience in storage and logistics of biological material at ultra low temperatures.

Your partner to optimise and extend the cold chain for valuable vaccines.

For long distances or time challenges we offer super insulated containers with unbeatable holding times up to four weeks!

Offer by CRYOTHERM



We propose the BIOSAFE® 420 DRYLOG Edition CO₂: **item number 78223728**, starting from a quantity of 25 units per demand

The DRYLOG Edition CO₂ version **includes basic lid-system and forklift pockets**.



optional: BIOSAFE® basic lid



For valuable vaccines & cells in large quantities!
-75°C +/-3°C (dry ice) or -185°C +/-10°C (nitrogen)

forklift pockets: for an easy and comfortable handling



BIOSAFE® DRYLOG Lines

Your safe for valuables vaccines

Comparison



BIOSAFE® 420 Standard Line and DryLog version – with temperature-controlled container

Cryotherm	BIOSAFE® 420 MD	BIOSAFE® DRYLOG CO ₂ -Edition	Data from pharmaceutical industry
Item number	78221885	78223728	Temperature-Controlled Container
Type	420 with lifting and swivelling lid mechanism	420 with basic, styrofoam reinforced lid	Temperature-Controlled Container
Qty of samples	96,000 (6 racks / 16 levels / 1000 samples per level)	96,000 (6 racks / 16 levels / 1000 samples per level)	5.000 (5 trays à 1000 samples)
Consumption of dry ice	2.8 kg/d ¹⁾	3.5 kg/d ²⁾	1.5 kg/d
Capacity of dry ice	83.5 kg ³⁾	83.5 kg ³⁾	ca. 15 kg
Holding time	30 d (4 weeks)	24 d (3.5 weeks)	10 d (1.5 week)
Consumption of dry ice per 5,000 samples	0.15 kg per 5,000 samples	0.18 kg per 5,000 samples	15 kg per 5,000 samples
Consumption of dry ice Relative to Pfizer	1 : 100	1 : 83	

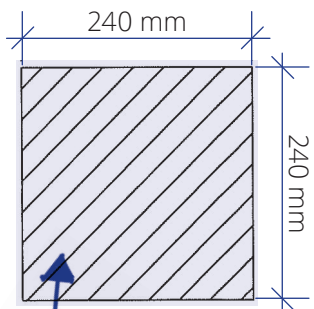
¹⁾ measured on BIOSAFE® 420

²⁾ from estimation for styrofoam lids

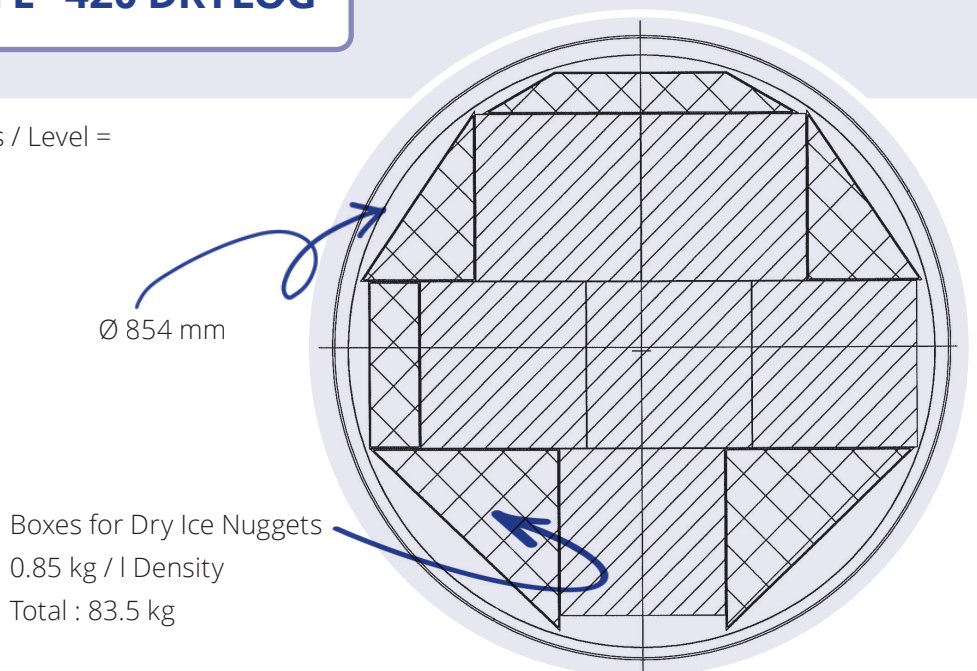
³⁾ 31 canisters / 70 mm / 2.4 l per canister / bulk density CO₂ pallets 0.85 kg/l

Overview of BIOSAFE® 420 DRYLOG

6 Racks x 16 Levels x 1000 Doses / Level =
96,000 Vaccine Doses total



Alu-rack for
16 Vaccine Boxes
height : ca. 700 mm



55
YEARS
1964 - 2019

**Excellence
in Engineering**

Cryotherm GmbH & Co. KG

Euteneuen 4

D-57548 Kirchen/Sieg, Germany

Telephone: ++49 27 41 / 95 85-0

Fax: ++49 27 41 / 69 00

E-mail: info@cryotherm.de



Your local contact person:



Version 1119APEN