

APOLLO[®]

Your ideal storage and transport vessel for liquid nitrogen.



All Advantages at a Glance



Best in it's class!
Evaporation rate for e.g.
APOLLO® 200: Only 0,6% per day!

A ball valve for comfortable
view: „Open or close“

Safety measures at eye level

Ideal operating height and
user-friendly fittings
(ball valves)

High stability
for secure and
smooth transport

Cost savings
increased uptime
for your application

Robust protective frame
for safe transport

Longer service life with the
following advantages:
Savings in transport and
handling costs

High quality design
made of corrosion-resistant
stainless steel

Low maintenance

**Large, stable and
smooth-running wheels**
(Ø 125-160 mm)
non-marking

Great mobility
through compact design

Long-term vacuum protection through
high-quality adsorption and getter materials

Including Accessories



Gloves



Item No.: 70794111

Safety glasses with side protection



Item No.: 77031520

Transport plug



Item No.: 78202417

Applications

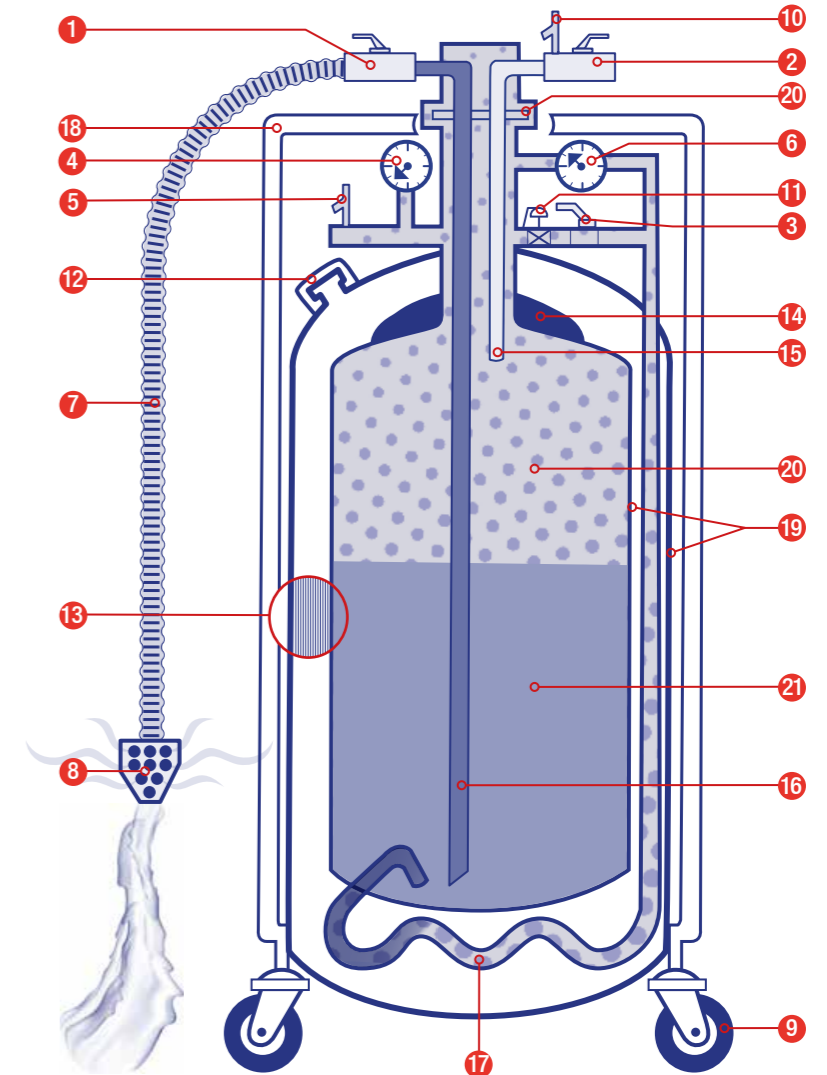
APOLLO®



compatible

- ▶ Analysers
- ▶ Cryogenic mills
- ▶ Cryogenic saunas
- ▶ Freezers
- ▶ Biobanks
- ▶ BIOSAFE®

...



Essential Construction Elements and Equipment



- | | |
|--------------------------------|---|
| 1 Decanting valve | 12 Vacuum sealing and safety valve |
| 2 Exhaust and overflow valve | 13 Super insulation |
| 3 Pressure build-up valve | 14 Absorbents (long-term vacuum protection) and special getters |
| 4 Pressure gauge (not gauges) | 15 Exhaust and overflow line |
| 5 Safety valve | 16 Sampling line |
| 6 Level indicator | 17 Pressure build-up line |
| 7 Decanting hose | 18 Chassis and protective frame |
| 8 Phase separator | 19 inner and outer vessels |
| 9 Swivel castors | 20 gaseous nitrogen |
| 10 Pressure release regulator | 21 liquid nitrogen |
| 11 Pressure build-up regulator | |

Standard equipment

- Integrated safety device on the vessel neck
- Vacuum seal and safety device
- Smooth-running castors and transport protection frame
- Level and pressure gauge
- EK lifter with exhaust and overflow valve
- Integrated pressure build-up
- Decanting hose (1.5 m) with phase separator
- Transport plug **1** with safety
- Cryogenic gloves **2** and safety glasses **3** with side protection

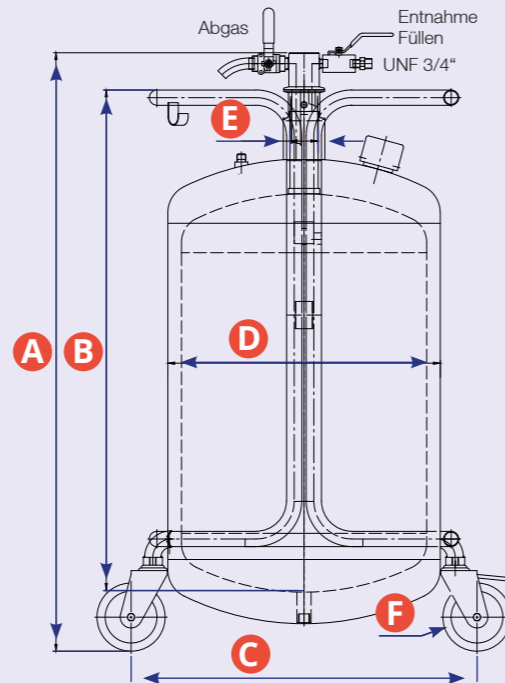


for a fixed connection of an APOLLO® urgently required!



Our APOLLO® -Series is available with a capacity of 50 to 350 liters

For dimensions see table.



Technical Data



Vessel name		APOLLO® 50 1,3 bar	APOLLO® 100 1,3 bar	APOLLO® 150 1,3 bar	APOLLO® 200 2,0 bar	APOLLO® 350 2,0 bar
Vessel material		Stainless steel	Stainless steel	Stainless steel	Stainless steel	Stainless steel
Approval mark		CE	CE	CE	CE0035	CE0035
Geometrical capacity	[l]	49,5	99,2	149,5	198,5	348
Operating overpressure	max. [bar]	1,3	1,3	1,3	2,0	2,0
Weight, empty	[kg]	44	62	79	100	160
Weight, full LIN	[kg]	85	145	204	266	450
Stat. evaporation rate LIN	[%/day]	2	1,2	1	0,6	0,5
Total height	A [cm]	80	114	146	117	165
Diameter, outer	D [cm]	50	50	50	70	70
Total width	C [cm]	65	65	65	80	80
Depth of immersion	B [mm]	58,5	92	122	91	135
Castor diameter	F [mm]	125	125	125	160	160
Neck diameter	E [mm]	50	50	50	50	50
Siphon connection		KF 50	KF 50	KF 50	KF 50	KF 50

Upon request the APOLLO® series is also available for other types of gas.

Options

- Pressure build-up regulator (Item No. 78202710)
- Pressure reduction regulator (Item No. 78203080)
- Double decanting liquid side (Item No. 79415416)
- Double decanting gas side (Item No. 78203081)
- Triple decanting liquid side (Item No. 79418082)
- Triple decanting gas side (Item No. 78203082)
- Safety spacer **4** (Item No. 78206124)
- Level indicator, capacitive, battery
- Forklift pockets **7**
- Set of castors, antimagnetic

Further options available upon request.



Item Numbers



APOLLO® liquid nitrogen vessel	50	100	150	200	350
with analog display 5	78202700	78202701	78202702	78202748	78202749
with digital display 6	78216837	78216836	78216838	78216839	78216840
ASME Stamp 1,5 bar 8	78221094	78220960	78221095	78221811	78221812
Options for APOLLO® line					
Forklift pockets 7	78203083	78203083	78203083	78203975	78203900
Set of castors, antimagnetic	78200474	78200474	78200474	78203992	78203992

*) Further vessel dimensions and custom vessels available upon request.

Accessories



6



The **digital display** – the capacitive level indicator for your APOLLO®

- ▶ Display and probe in one device
- ▶ Easy to use
- ▶ High precision

7



Practical **forklift pockets** facilitate the handling of your APOLLO®

▶ Our APOLLO® series complies with the European Pressure Equipment Directive 2014/68 / EU

▶ For USA, 1,5 bar:

8



55
YEARS
1964 - 2019

**Excellence
in Engineering**

Cryotherm GmbH & Co. KG

Euteneuen 4

D-57548 Kirchen/Sieg, Germany

Telephone: ++49 27 41 / 95 85-0

Fax: ++49 27 41 / 69 00

E-mail: info@cryotherm.de



Your local contact person:

Version 1119APEN