

SATURN[®] -transport vessel



Safe,
robust,
smooth running,
low
evaporation

Transport vessel for the exacting transport of cryogenically liquefied nitrogen (and argon) with vacuum superinsulation and long-time vacuum protection

Authorized as:

Transportable pressure equipment (cryovessel)
in accordance with Directive 2010/35/EU ADR / RID

Comprehensive operational and safety equipment:

- Integrated safety device on vessel's neck
- Vacuum seal with safety device
- Smooth running castors and robust protection ring
- Pressure indicator
- Level indicator
- Transfer siphon with small flange connections with exhaust gas and overflow valve
- Manual pressure build-up
- Filling hose (1.5 m) with phase separator

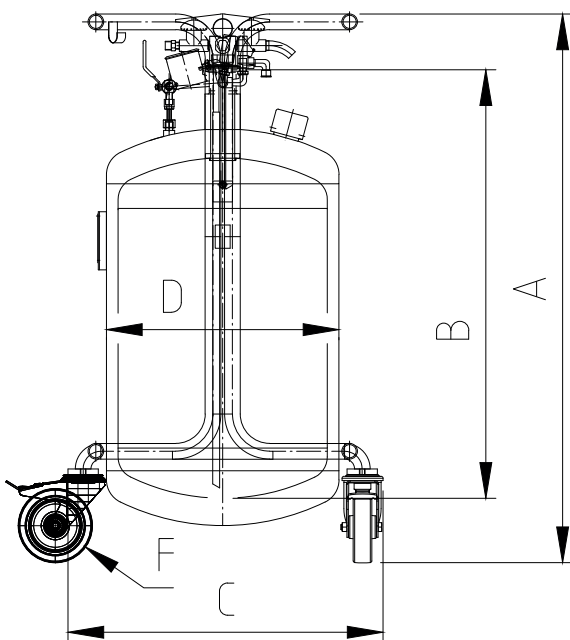
Safe transport vessel



Optional:

- Pressure build-up regulator
- Pressure relief regulator
- Forklift pockets
- Anti-magnetic swivel castors
- Complete cryogenic protective equipment

Special options on request



Technical Data				
		SATURN® 50	SATURN® 100	SATURN® 150
Vessel material		stainless steel	stainless steel	stainless steel
Approval mark		π	π	π
Geometrical capacity	[l]	52	104	157
Operating overpressure	[bar]	3.0	3.0	3.0
Weight empty	[kg]	58	76	93
Weight full	[kg]	98	156	214
Stat. evaporation rate	[%/d]	2.4	1.5	1.2
Total height	A [mm]	845	1180	1520
Outside diameter	D [mm]	500	500	500
Total width	C [mm]	680	680	680
Immersion depth	B [mm]	585	920	1260
Castor diameter	F [mm]	160	160	160
Neck diameter	E [mm]	50	50	50
Connections		KF 50	KF 50	KF 50
Article number		78207805	78207806	78207807

Contact

Cryotherm GmbH & Co. KG
 Euteneuen 4
 D-57548 Kirchen
 Fon: +49 (0) 2741 9585-0
 Fax: +49 (0) 2741 6900
 info@cryotherm.de
 www.cryotherm.de

